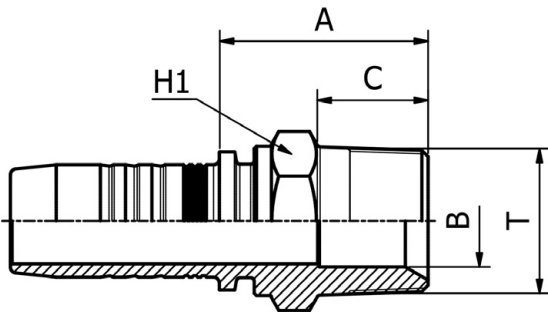


SAE STANDARD CONNECTIONS

M12810

NPTF MALE 60° CONE SEAT
SAE J516/J514

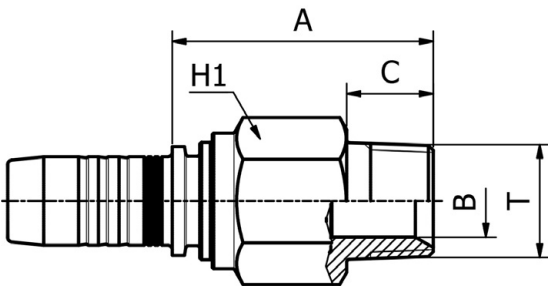


PART. REF.	HOSE BORE			Thread	DIMENSIONS mm							
	DN	Dash	inch		T	B	A	C	H1			
M12810-03-02	5	- 3	3/16"	1/8" - 27		3.0	23.5	10.0	12.0			
M12810-03-04	5	- 3	3/16"	1/4" - 18		5.5	29.0	14.5	14.0			
M12810-04-02	6	- 4	1/4"	1/8" - 27		4.0	24.0	10.0	12.0			
M12810-04-04	6	- 4	1/4"	1/4" - 18		5.5	29.0	14.5	14.0			
M12810-04-06	6	- 4	1/4"	3/8" - 18		9.3	27.5	14.5	19.0			
M12810-04-08	6	- 4	1/4"	1/2" - 14		9.3	33.5	19.2	24.0			
M12810-05-04	8	- 5	5/16"	1/4" - 18		5.5	29.5	14.5	14.0			
M12810-05-06	8	- 5	5/16"	3/8" - 18		9.3	32.0	14.5	19.0			
M12810-06-04	10	- 6	3/8"	1/4" - 18		5.5	30.0	14.5	14.0			
M12810-06-06	10	- 6	3/8"	3/8" - 18		9.3	28.5	14.5	19.0			
M12810-06-08	10	- 6	3/8"	1/2" - 14		12.5	34.5	19.2	24.0			
M12810-08-06	12	- 8	1/2"	3/8" - 18		9.3	29.0	14.5	19.0			
M12810-08-08	12	- 8	1/2"	1/2" - 14		12.5	35.0	19.2	24.0			
M12810-08-12	12	- 8	1/2"	3/4" - 14		15.5	35.5	19.2	27.0			
M12810-10-08	16	- 10	5/8"	1/2" - 14		12.5	38.5	19.2	24.0			
M12810-10-12	16	- 10	5/8"	3/4" - 14		16.0	40.0	19.2	27.0			
M12810-12-08	19	- 12	3/4"	1/2" - 14		12.5	36.5	19.2	27.0			
M12810-12-12	19	- 12	3/4"	3/4" - 14		16.0	36.5	19.2	27.0			
M12810-12-16	19	- 12	3/4"	1" - 11.5		19.8	46.0	24.2	36.0			
M12810-16-12	25	- 16	1"	3/4" - 14		15.5	39.0	19.2	32.0			
M12810-16-16	25	- 16	1"	1" - 11.5		19.8	44.0	24.2	36.0			
M12810-16-20	25	- 16	1"	1.1/4" - 11.5		26.0	56.5	25.0	46.0			
M12810-20-20	31	- 20	1.1/4"	1.1/4" - 11.5		26.0	56.5	25.0	46.0			
M12810-24-24	38	- 24	1.1/2"	1.1/2" - 11.5		32.0	57.5	26.0	50.0			
M12810-32-32	51	- 32	2"	2" - 11.5		45.0	64.5	26.5	65.0			
M12810-40-40	63	- 40	2.1/2"	2.1/2" - 8		55.4	78.0	39.9	80.0			
M12810-48-48	76	- 48	3"	3" - 8		68.9	86.0	41.5	100.0			

SAE STANDARD CONNECTIONS

M14110R

NPTF SWIVEL MALE 60° CONE SEAT
SAE J516/J514



PART. REF.	HOSE BORE			Thread	DIMENSIONS mm							
	DN	Dash	inch		T	B	A	C	H1			
M14110-04-02R	6	- 4	1/4"	1/8" - 27		3.0	42.0	10.0	17.0			
M14110-04-04R	6	- 4	1/4"	1/4" - 18		4.0	46.5	14.5	17.0			
M14110-04-06R	6	- 4	1/4"	3/8" - 18		7.0	46.5	14.5	19.0			
M14110-06-04R	10	- 6	3/8"	1/4" - 18		4.0	50.5	14.5	22.0			
M14110-06-06R	10	- 6	3/8"	3/8" - 18		7.0	50.5	14.5	22.0			
M14110-06-08R	10	- 6	3/8"	1/2" - 14		9.3	55.0	19.2	24.0			
M14110-08-06R	12	- 8	1/2"	3/8" - 18		7.0	54.5	14.5	27.0			
M14110-08-08R	12	- 8	1/2"	1/2" - 14		9.3	59.0	19.2	27.0			
M14110-12-12R	19	- 12	3/4"	3/4" - 14		16.0	58.0	19.2	32.0			
M14110-16-16R	25	- 16	1"	1" - 11.5		19.8	66.0	24.2	38.0			